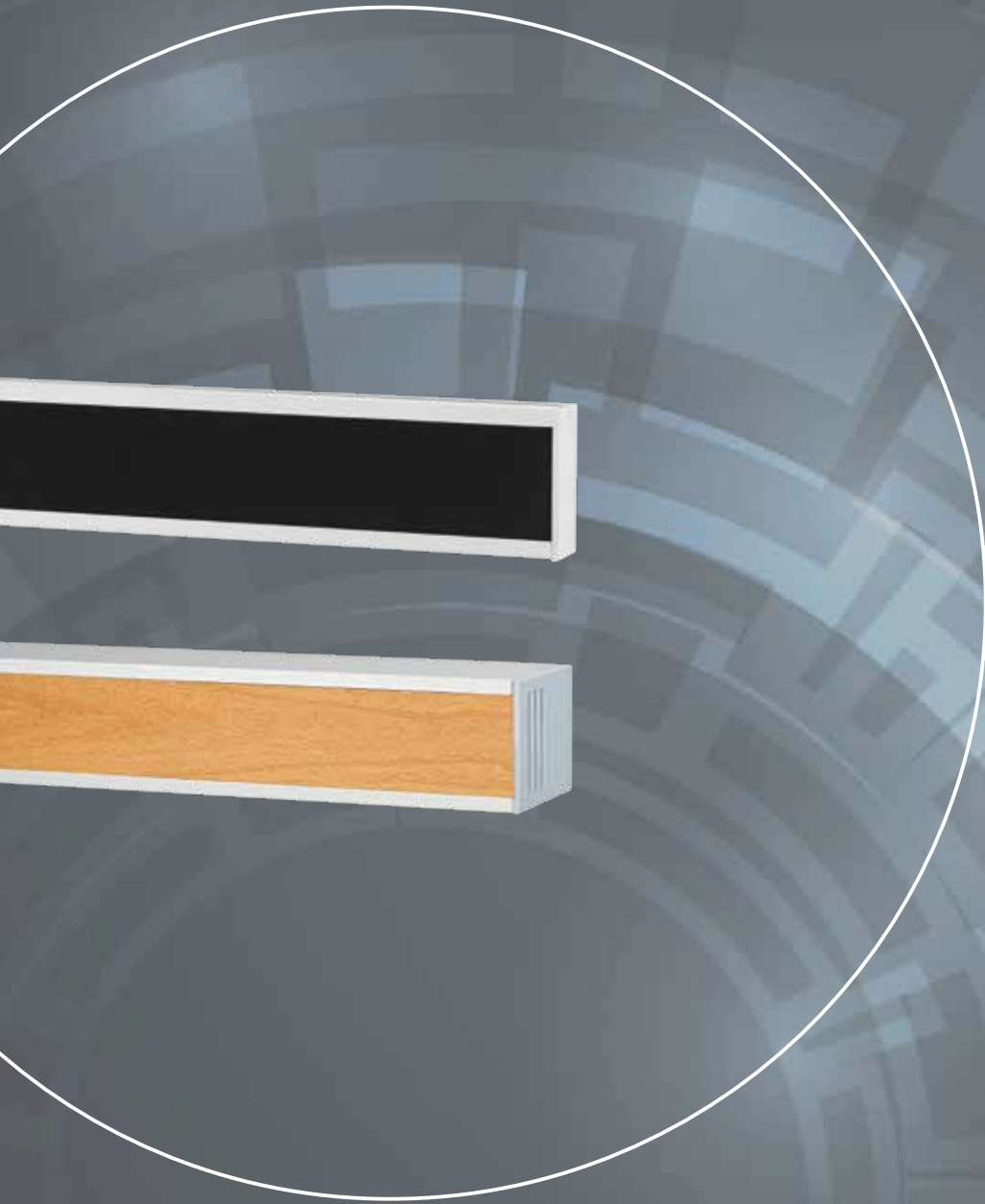


# specification sheet

## AVR30





## Fitting information

- Recommended fixing points:

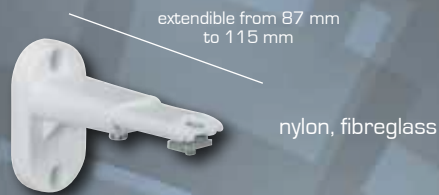


The dimensions shown are for information only. The distances between the brackets are variable and depend on the weight and the fullness of the curtain to be hung.

- Mounting options



- Wall mount with the following angle brackets: 563/50, 2372, 6188



- Wall mount with the following brackets: 14505, 14506



- Ceiling mount with the following bracket: 4019



## Additional accessories

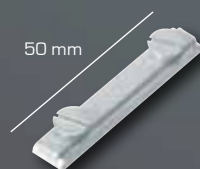
- Slide (ref. 5018, 5033)



- Rollers with bow (ref. 6184, 6185, 6186, 2032)



- Connector (ref. 4017/5)



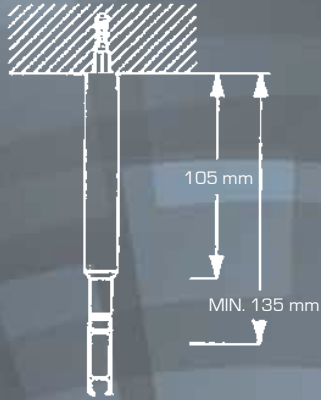
• Finishing stops (ref. 4039 R & L, 5016)



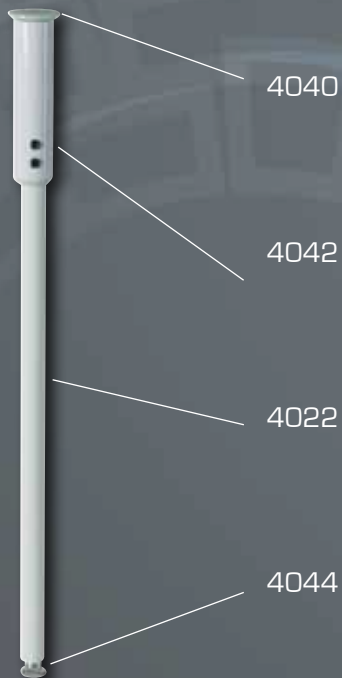
• Additional accessory:  
rubber profile (ref. 4015)



## Adjustable height suspension system



Stabiliser for false ceiling (ref. 4041)



V suspension

